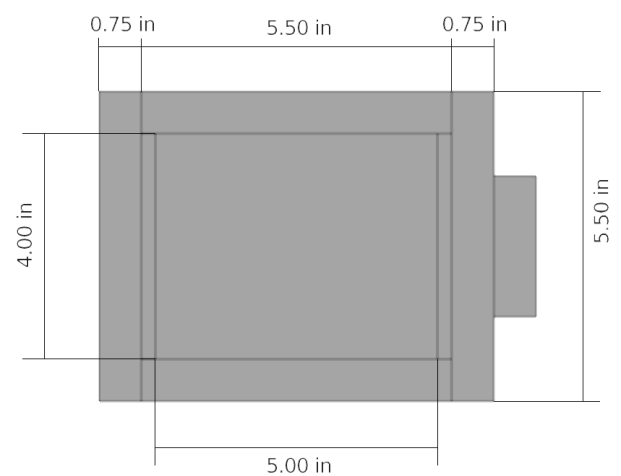
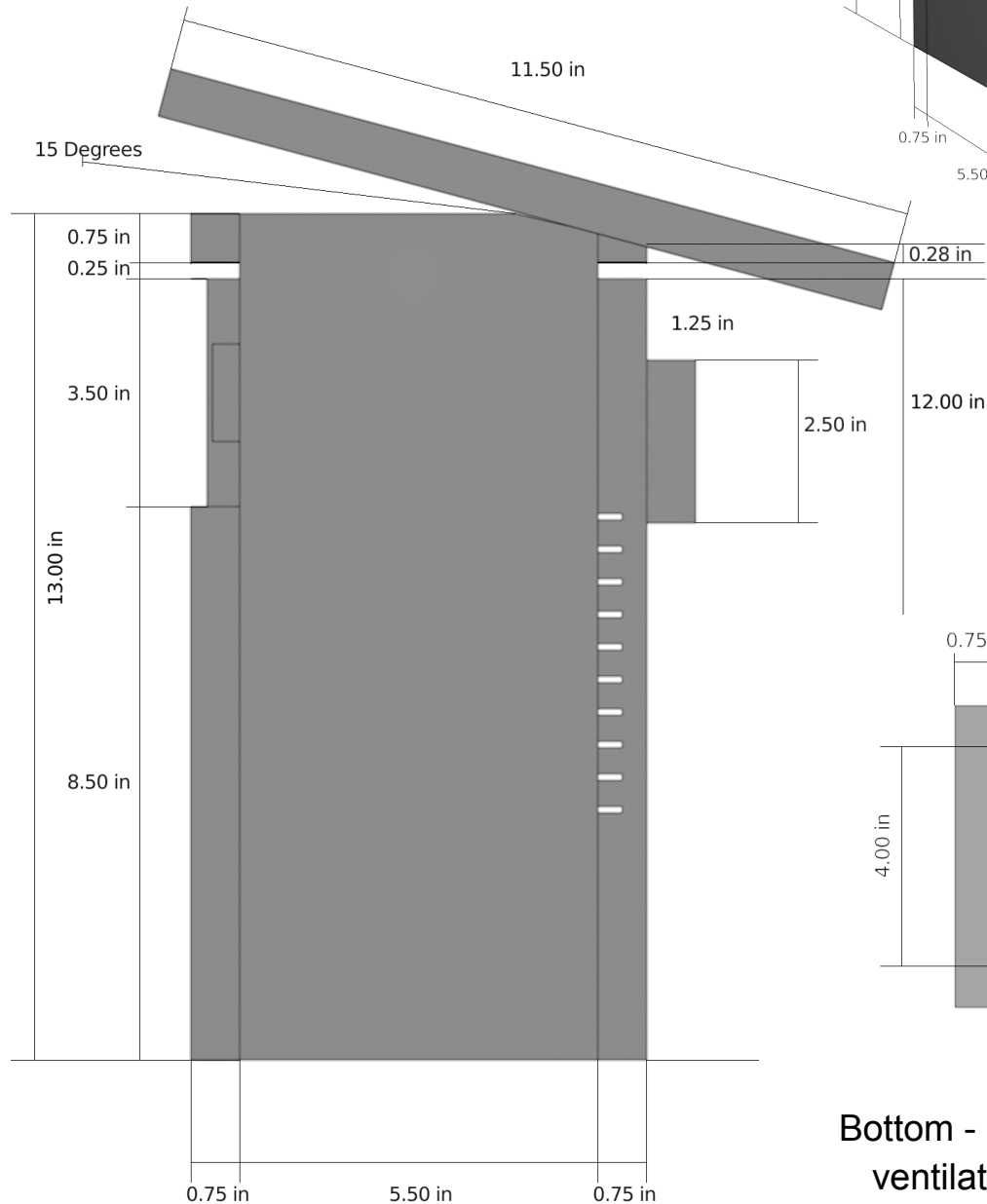
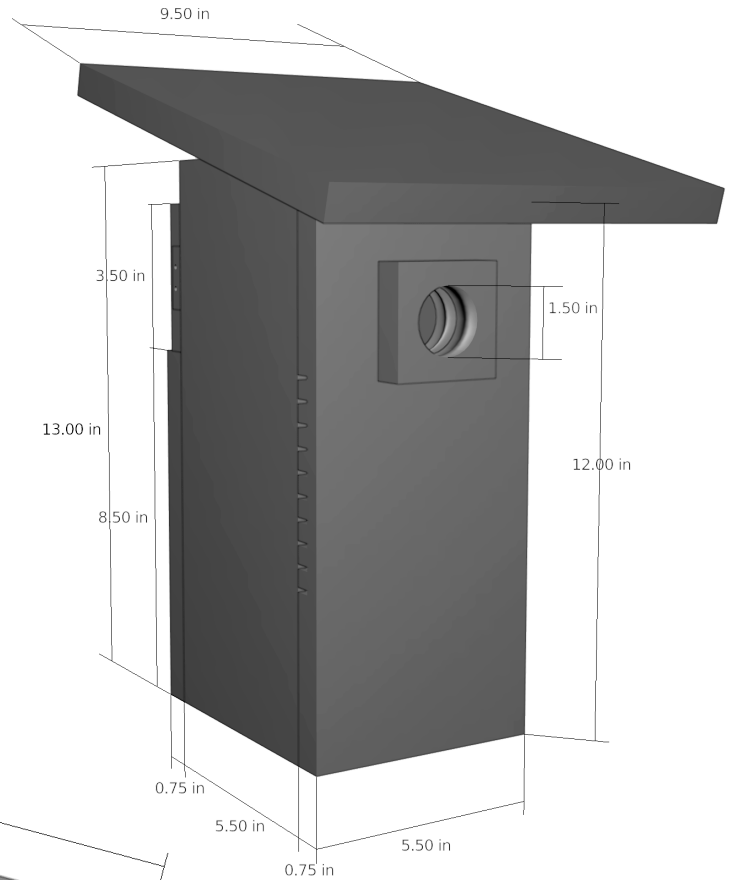


# The Cooling Roof Nest Box -

(<https://birds.walkingdown.com>)

This nest box is designed to keep the inside cooler. It has ventilation at the top and bottom. The roof shades the box while dissipating heat. It is ideal for Eastern Bluebirds, Chickadees, Tufted Titmouse, etc. Hole diameter can be adjusted for bird preference. The upper door allows for easy access to a wireless camera.



Bottom - Recessed slightly and has ventilation slots in front and back.